

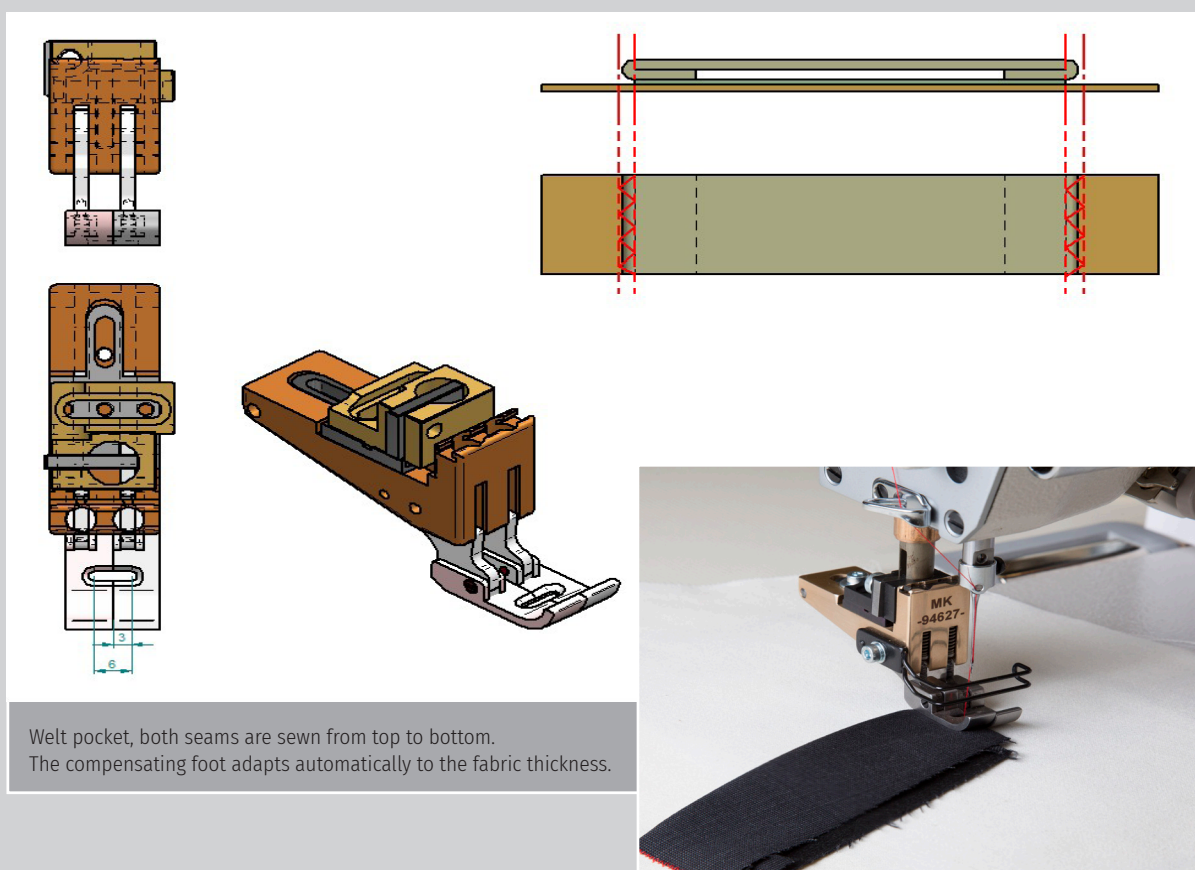
## SEWING WELT POCKET TO JACKET

## ZIGZAG-SEWING-FOOT, TWO-PART

The breast pocket welt is sewn on at the right and left edge with a zigzag sewing machine. The right and left seam are sewn in the same seam direction with this special sewing foot. This enhances the quality of the seam, and the jacket need not be turned.

**SPECIAL FEATURES:**

- Quality enhancement. The seam of the left and right breast pocket welt is sewn in the same direction
- Time saving through shorter working processes (jacket does not need to be turned)



Welt pocket, both seams are sewn from top to bottom.  
The compensating foot adapts automatically to the fabric thickness.