

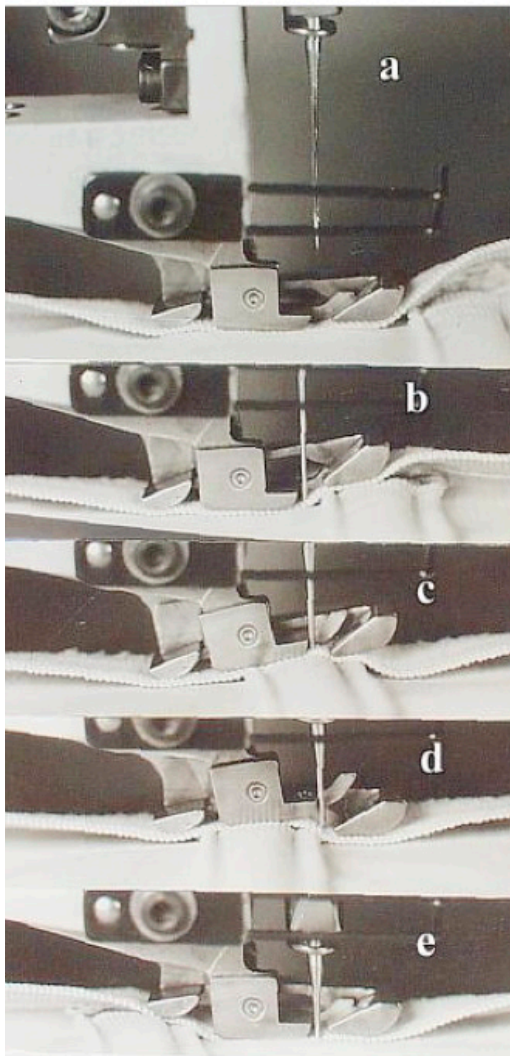
SEWING ON AND OVER RUBBER BRAID

ZIGZAG ELASTIC BRAIDING FEET WITH CLIMBING SOLES

Climbing foot principle, one sole in front and one behind the needle

SPECIAL FEATURES:

- Avoids missing stitches when sewing over thick seam positions
- Problem-free sewing at full speed over thick seam positions without stitch shortening
- Reduction of hook wear and related extra costs



a: The forward climbing sole steps onto, the thick side seam

b: The rear climbing sole prevents missed stitches

c: Both climbing soles are on the thick cross seam

d: The forward climbing sole prevents missed stitches

e: Both climbing soles are in the seam area

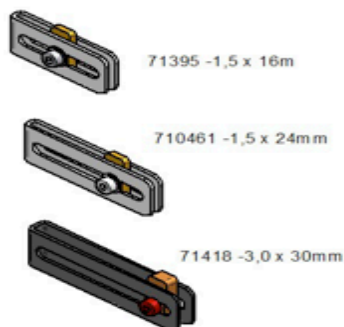
Functional description of a climbing foot

SEWING ON AND OVER RUBBER BRAID

Gummifüßführungen

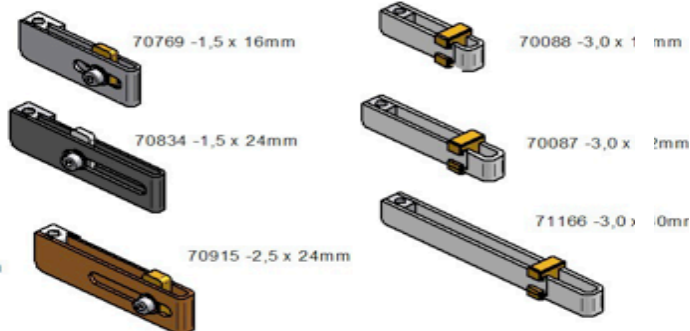
befestigt an der rechten Sohle

Rubber guides fixt on the right Sole



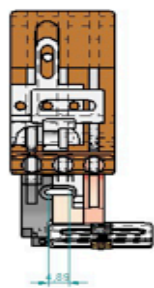
Gummifüßführungen befestigt an der linken Anschlagsohle

Rubber guides fixt on the left stop sole

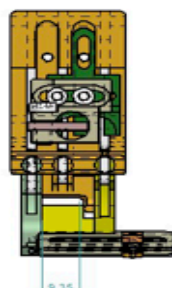


Special Zigzag-Sewing-Foot, two-part, for binders with over stitch widths of 4 - 8 mm and edge binding widths of 12 mm.

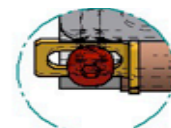
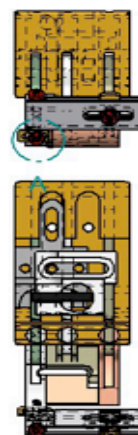
The two-part compensating foot offers different pressure settings on the sewing material and binder. Material conveyance is better as a result.



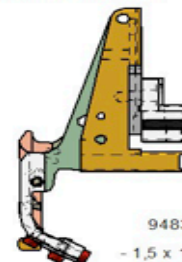
94836, 94370 -1,5 x 24mm



94299 -1,5 x 24



INZELHEIT A
Anschlag für Stoffkante



94833
- 1,5 x 16mm

Climbing foot with integrated fabric edge stop, three-part, for sewing on and over rubber braid With over stitch widths of 4 - 10 mm

An adjustable fabric edge stop in the left sewing sole acts as a stop for the turned fabric edge.