

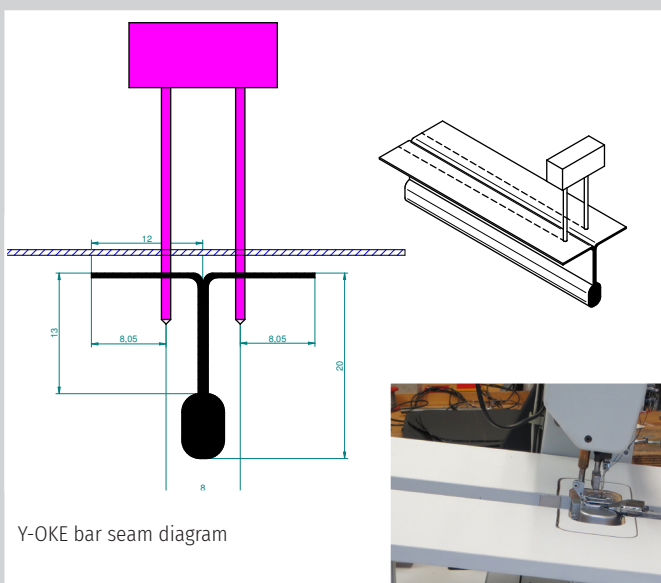
TAPE FEED FOR Y-OKE BAR ON A DOUBLE NEEDLE POST BED MACHINE

Y-OKE BAR

Guides suitable for all common Y-OKE bars

SPECIAL FEATURES:

- The Y-OKE bar is guided through the transporter and post-bed by a special sewing device
- Support plates for the tabletop are also available



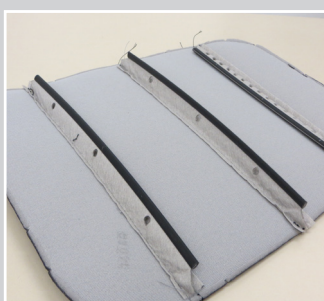
Y-OKE bar guide on a post bed machine



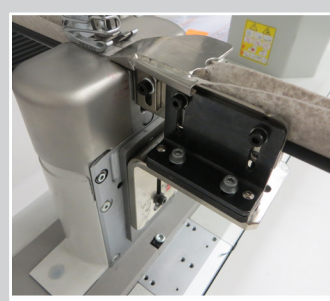
Machine with Y-OKE bar



Y-OKE bar in front of needle



Tape sewing pattern Y-OKE bar



Y-OKE bar guide on a post bed machine