

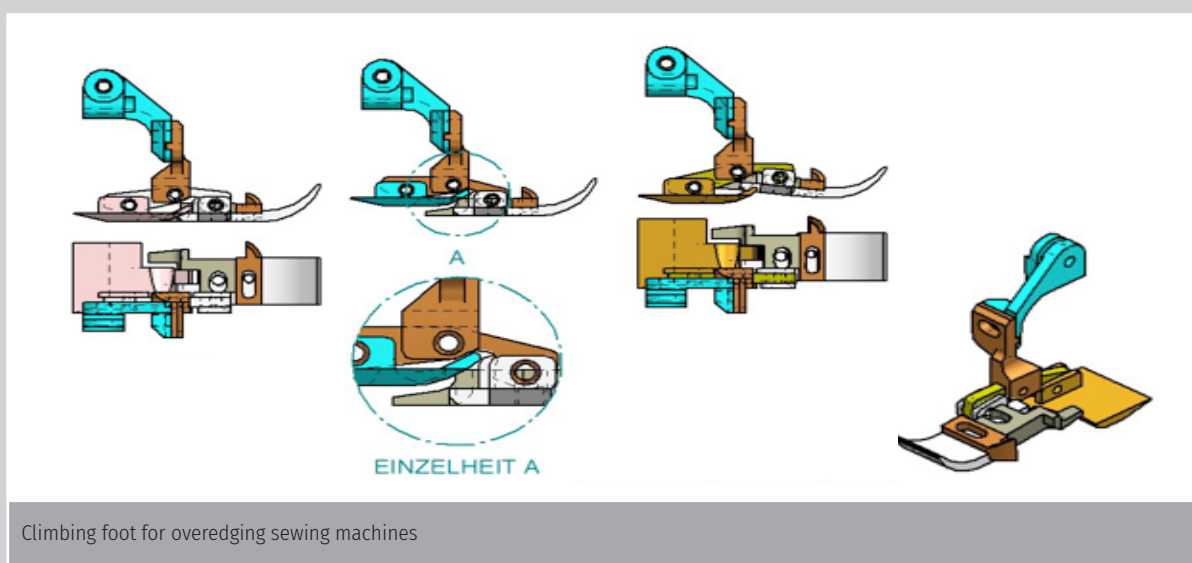
SEWING OF RUBBER BRAID WITH OVEREDGING MACHINE

## SPECIAL FEET FOR AUTOMATIC TAPE INSERT

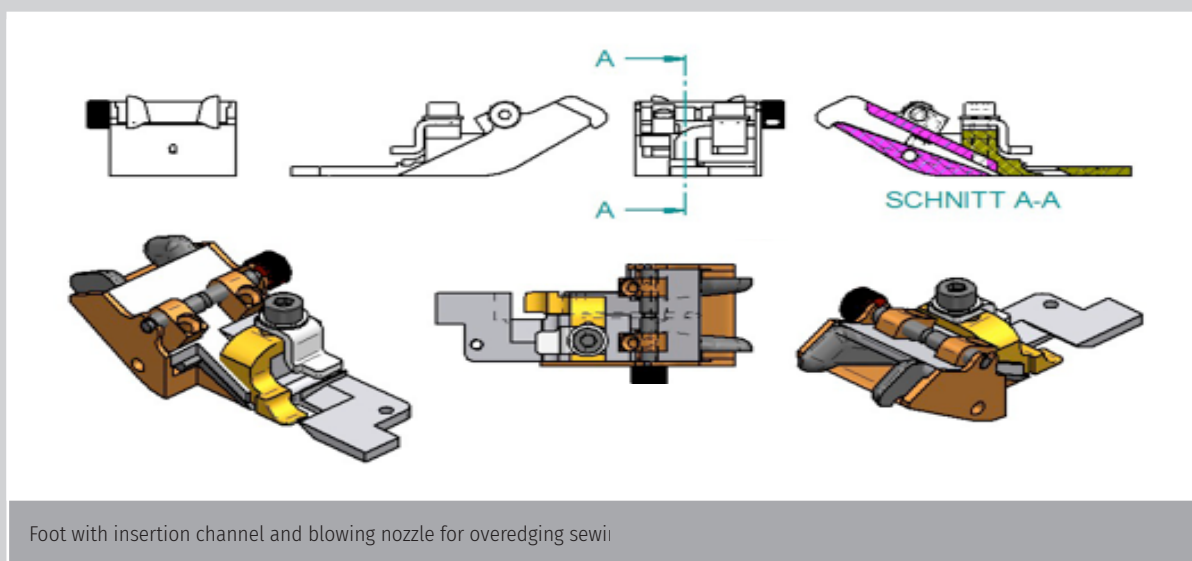
This climbing foot is suitable for a variety of overedging machines. Climbing foot principle – one sole in front and one behind the needle.

**SPECIAL FEATURES:**

- No transport problems when sewing over cross seams
- Consequently, use of an overedging machine with top feed can be dispensed with in many cases



Climbing foot for overedging sewing machines



Foot with insertion channel and blowing nozzle for overedging sewing

SEWING OF RUBBER BRAID WITH OVEREDGING MACHINE

