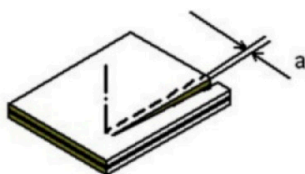
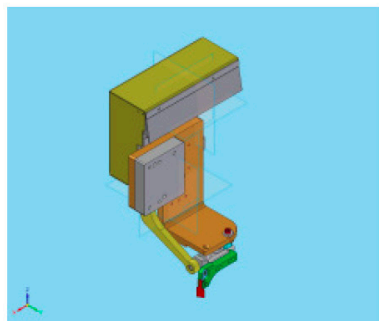


SELECTION CRITERIA FOR EDGE CUTTER UNITS



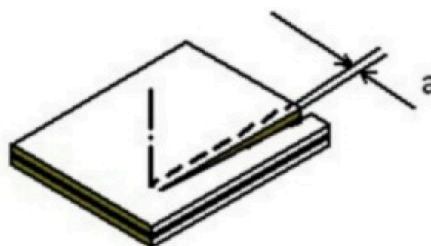
In order to compile a quote for MK edge cutter unit punching knives, we require the following details:

1.) Machine make:

2.) Machine class:

3.) Hook: right left

4.) a = mm: 1,2 1,5 2,0 2,5
 3,0 3,5 4,0 5,0



5.) M.) Maximum thread strength mm

6.) Use: Automotive seat Interior Seating furniture