

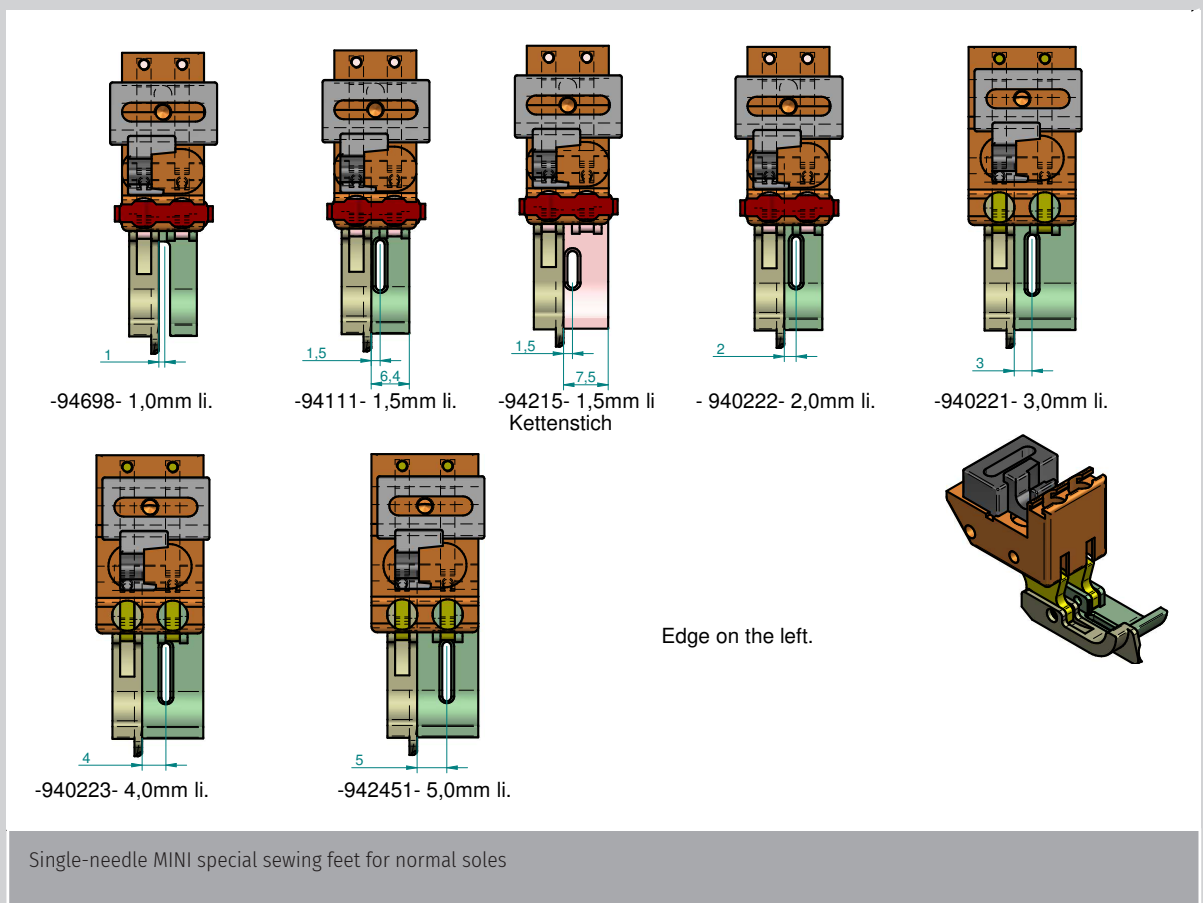
SMALL COMPENSATING FEET

ONE-NEEDLE-MINI-SPECIAL FEET, NORMAL SOLE LENGTH, TWO-PART

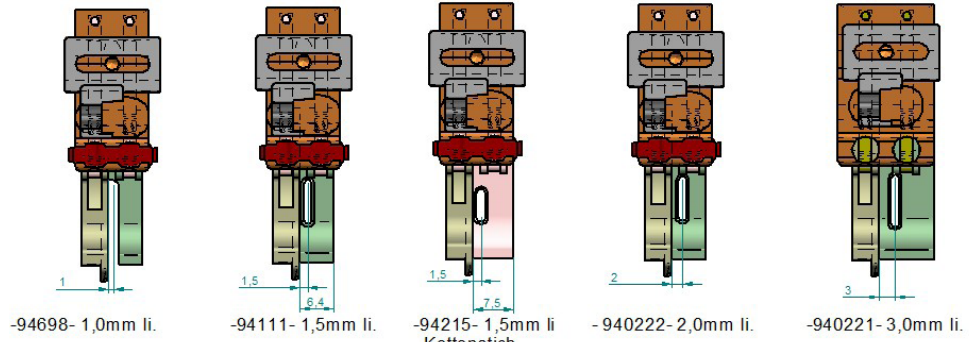
MINI sewing feet can be mounted on all common sewing machines without difficulty.

SPECIAL FEATURES:

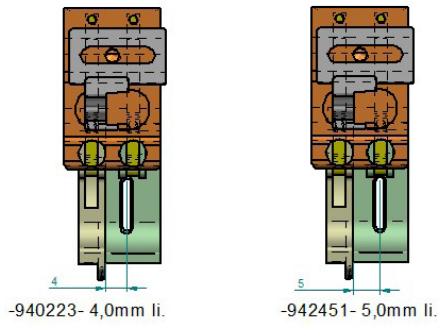
- The foot level technique enables sewing with relatively low sewing sole pressure, even at high speeds
- Fully automatic alignment of sewing feet soles with the material thickness
- Individual adjustment of sewing foot sole contact pressure on the material



SMALL COMPENSATING FEET

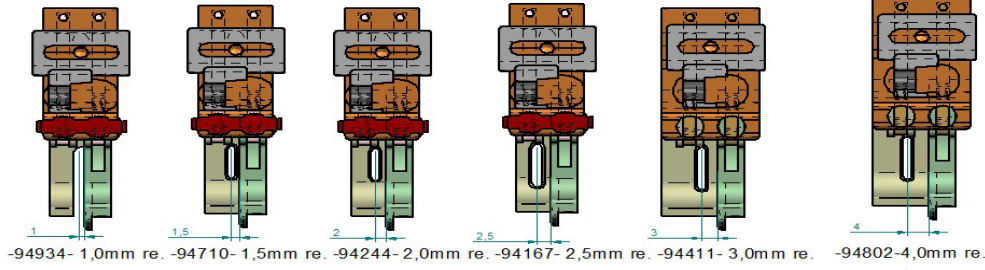
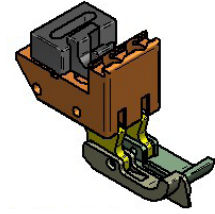


-94698- 1,0mm li. -94111- 1,5mm li. -94215- 1,5mm li Kettenstich -940222- 2,0mm li. -940221- 3,0mm li.

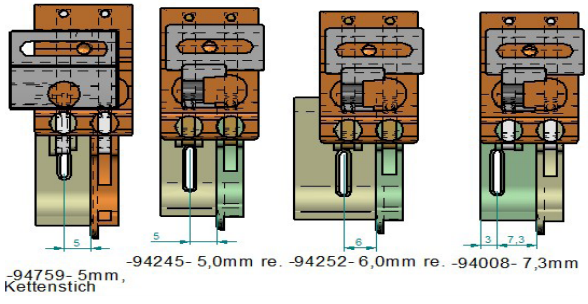


-940223- 4,0mm li. -942451- 5,0mm li.

Edge on the left.

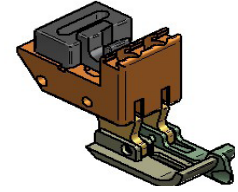


-94934- 1,0mm re. -94710- 1,5mm re. -94244- 2,0mm re. -94167- 2,5mm re. -94411- 3,0mm re. -94802- 4,0mm re.



-94759- 5mm, Kettenstich -94245- 5,0mm re. -94252- 6,0mm re. -94008- 7,3mm

Edge on the right.



Single-needle MINI special sewing feet for normal soles