

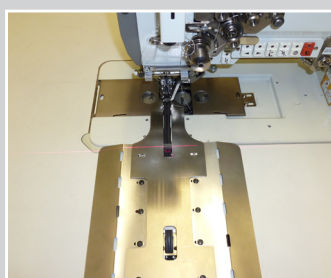
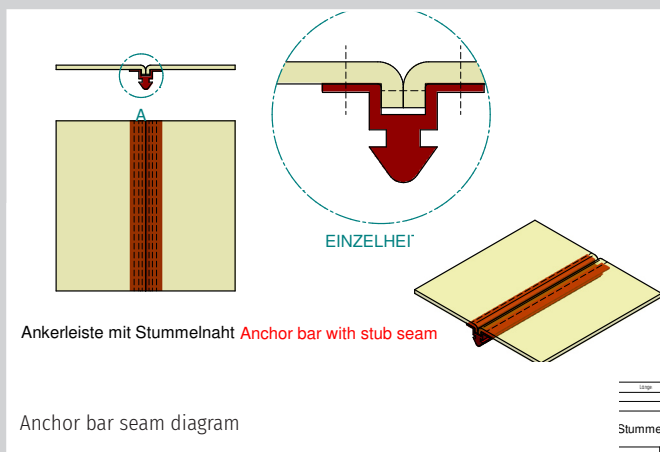
FOR PROCESSING CONTINUOUS BARS

ANCHOR BAR

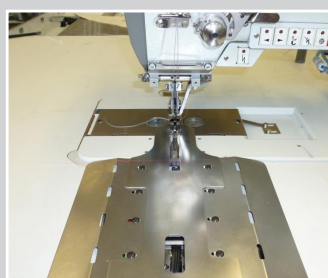
Anchor bar guide from below with cutter and feeder

SPECIAL FEATURES:

- The guidance is particularly flat and does not create any hindrances during sewing
- The guide is raised and then lowered again for insertion
- The anchor bar can be positioned at any point on the seam
- The right cutting position is indicated by a laser line
- The anchor bar is fed continuously from below from the roll



Anchor bar tape feed from below on flatbed machine



Anchor bar guide



Seam center guide with plug and anchor bar